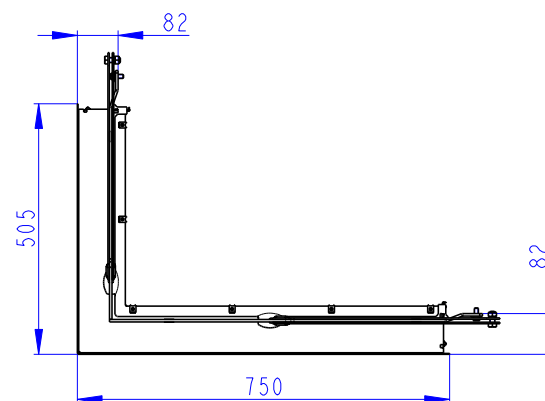
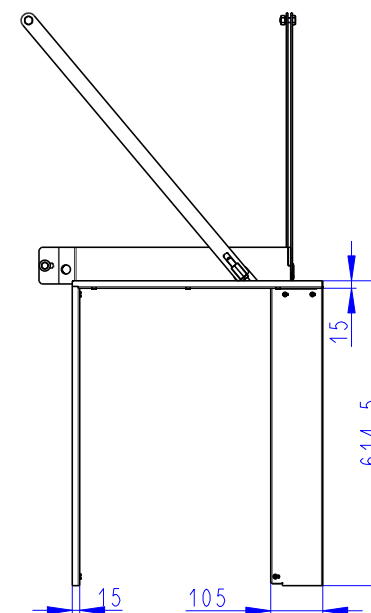
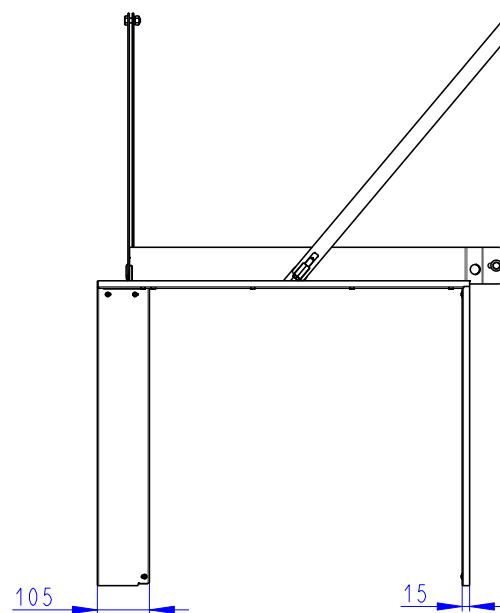
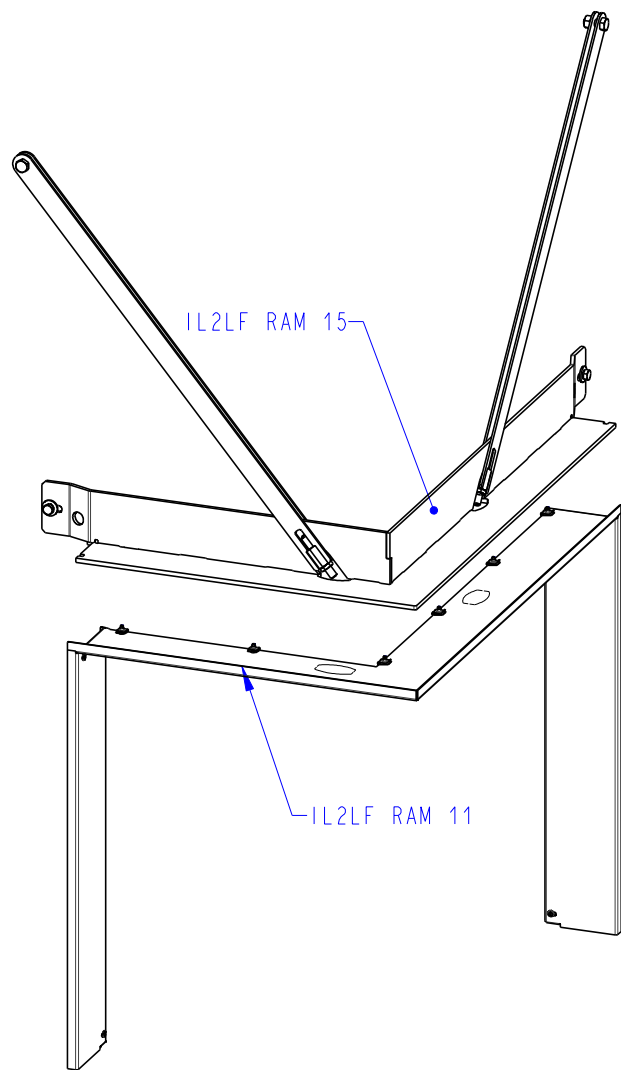


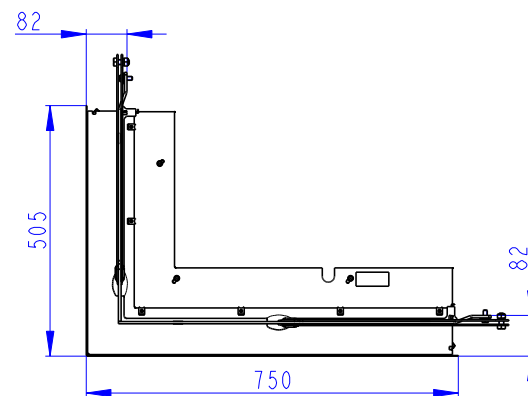
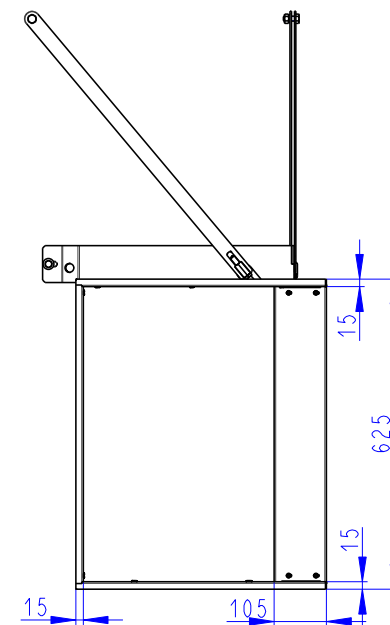
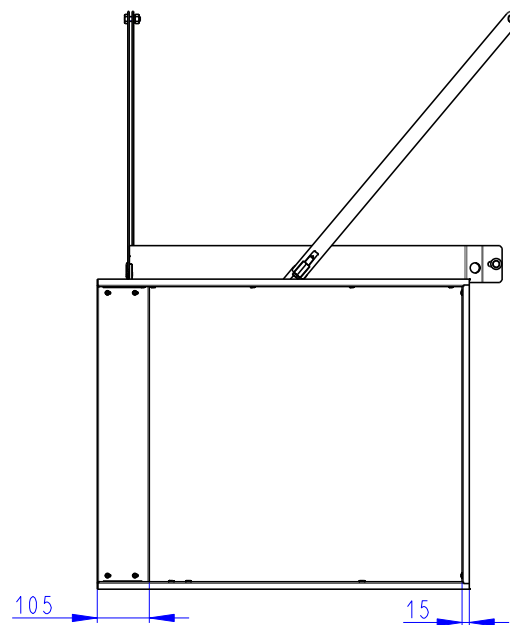
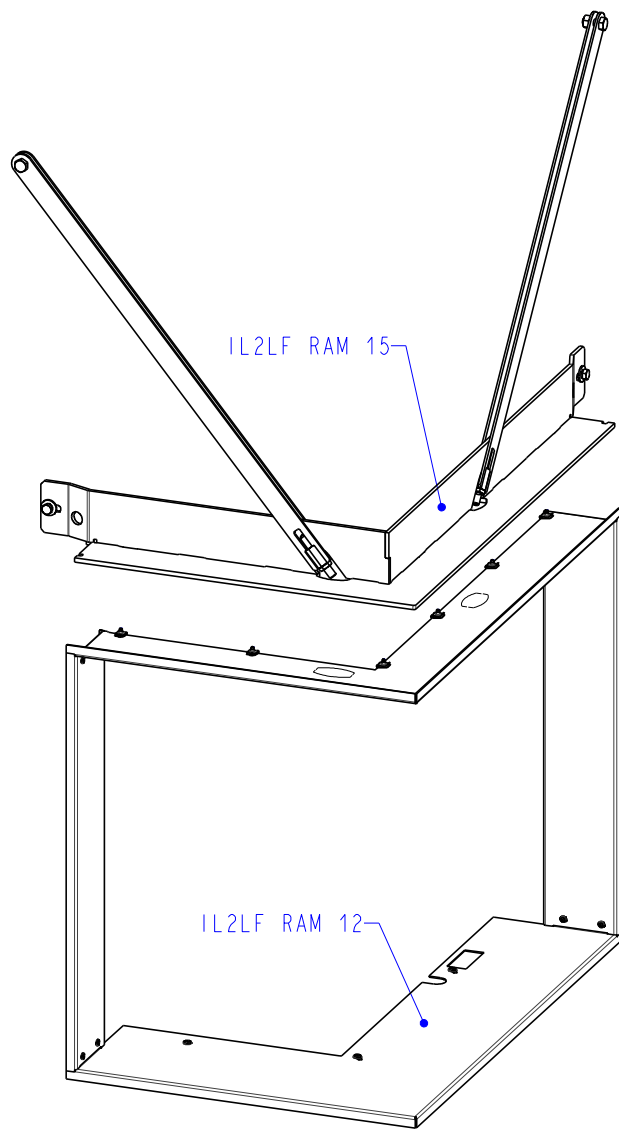
IL2LF RAM 15
+ IL2LF RAM 11

13 kg



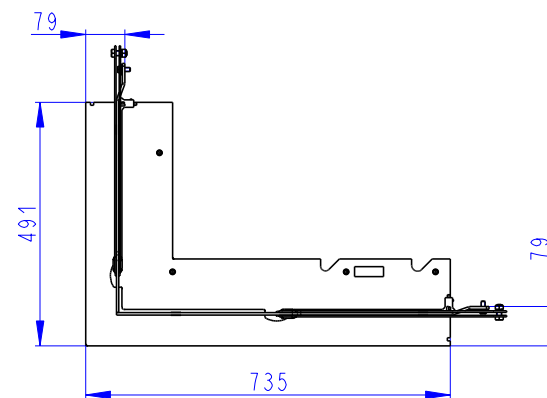
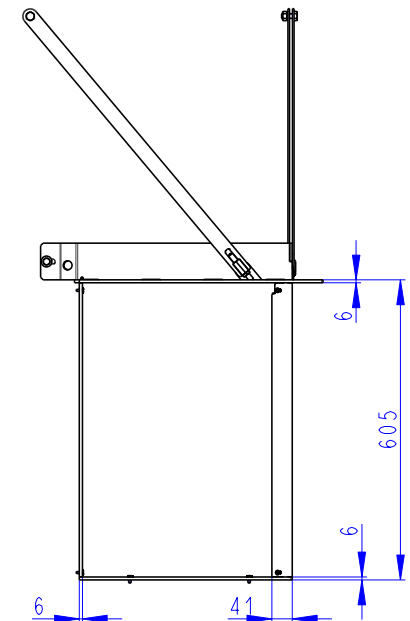
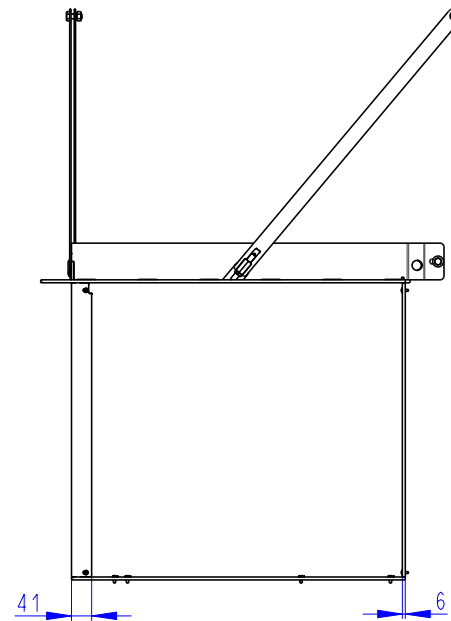
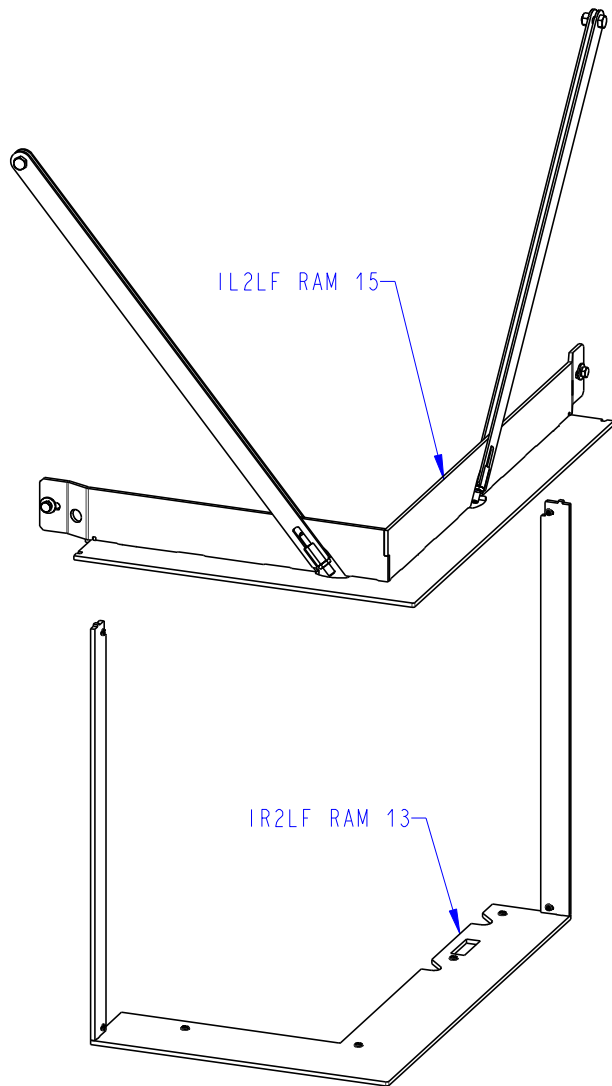
1L2LF RAM 15
+ 1L2LF RAM 12

15,2 kg



IL2LF RAM 15
+ IR2LF RAM 13

17 kg



Rozměry v mm; Maße in mm; Dimensions in mm

IL2LF RAM 15
+ IR2LF RAM 14

24 kg

