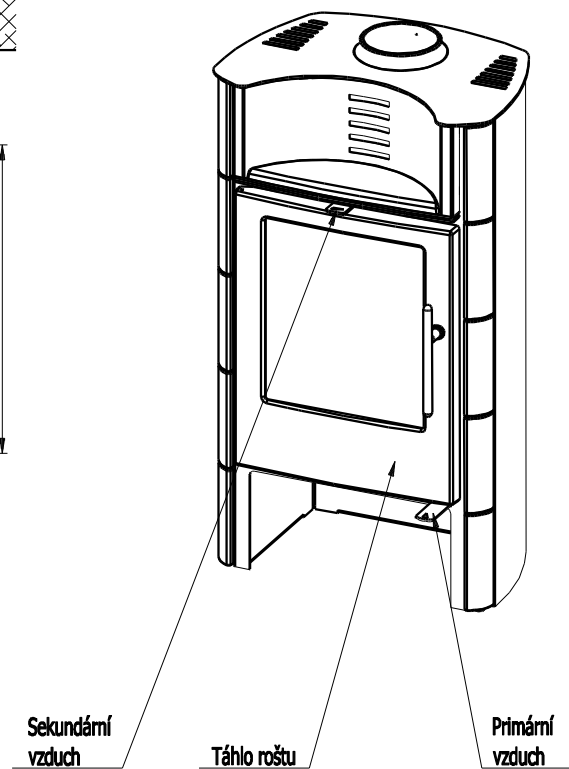
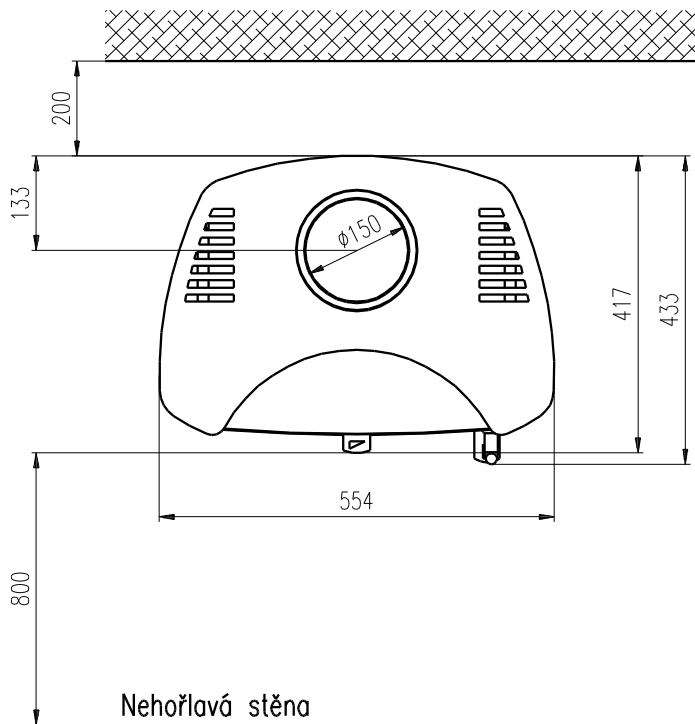
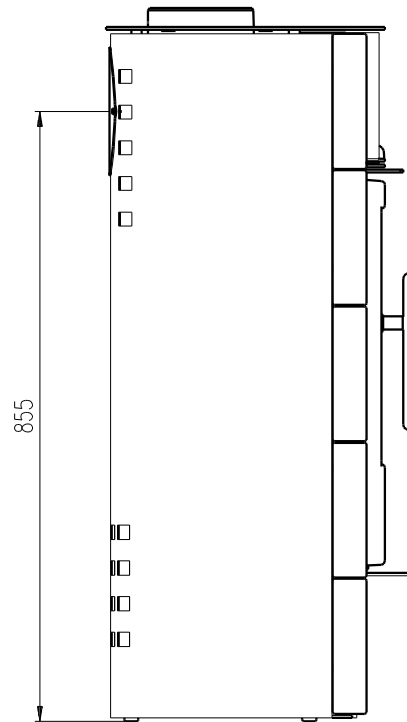
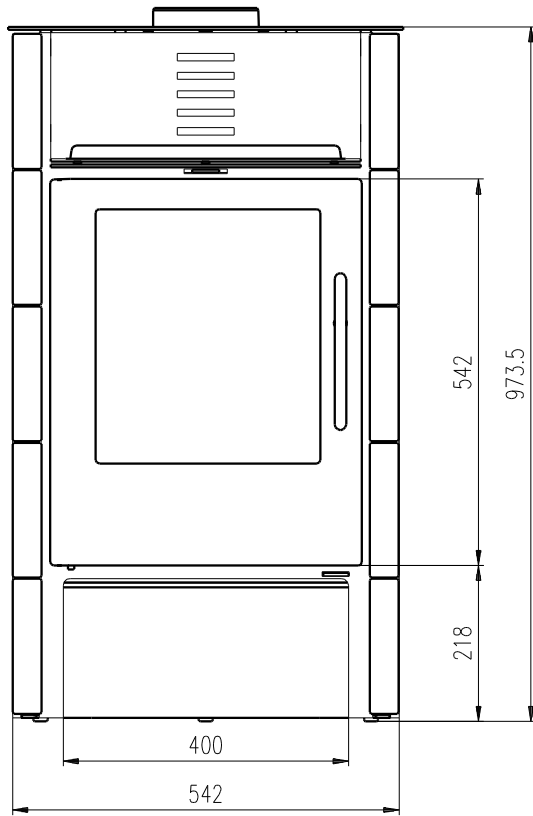


# HARO



Artikl	HARO
--------	------

#### General data

Nominal heat output	kW	9,5
Efficiency	%	82,3
Mass of the test fuel fired hourly	kg/h	2,7
Dry flue gases mass flow	g/s	6,1
Mean flue gas temperature	°C	371,5
Flue draught	Pa	12
Weight	kg	120
CO <sub>2</sub>	%	13,31
Dust O <sub>2</sub> =13%	mg/m <sup>3</sup>	11
CO O <sub>2</sub> =13%	mg/m <sup>3</sup>	1093

#### Recommended values

Reg.output	kW	4,5-11
Max. mass of the test fuel fired hourly	kg/h	3,5
Flue gas connector diameter	mm	150

#### Meets requirement limit values for

EN 13 240	•
BImSch V 1	•
BImSch V 2	-
DIN plus	-
15a B-VG	-

#### Supplied accessories

Holder with magnet	•
Ashtray	•