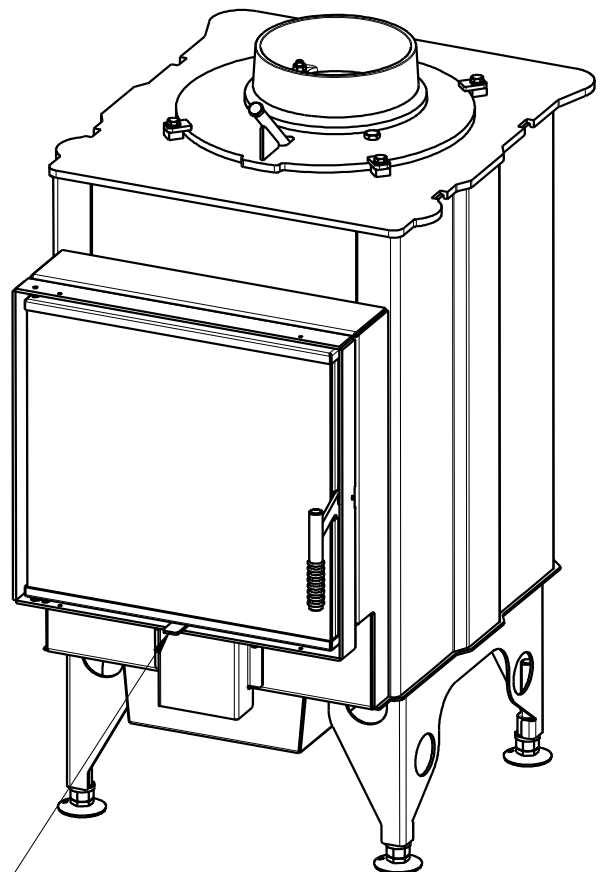
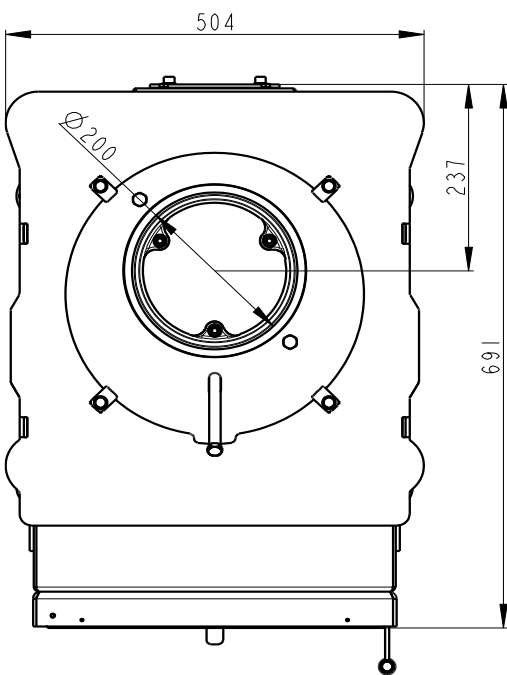
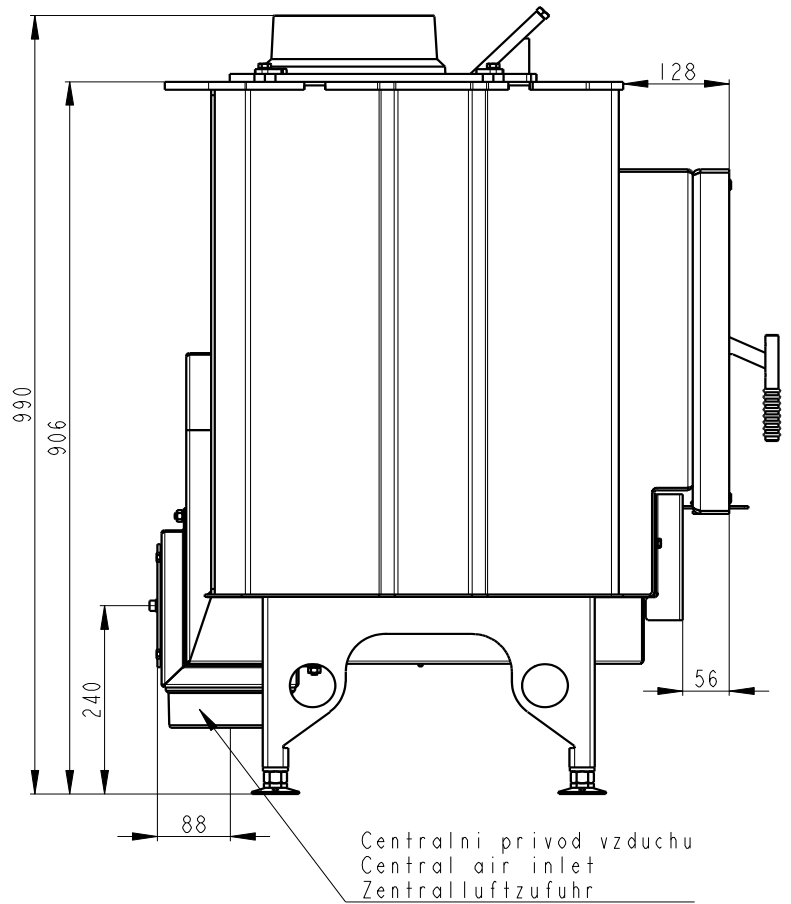
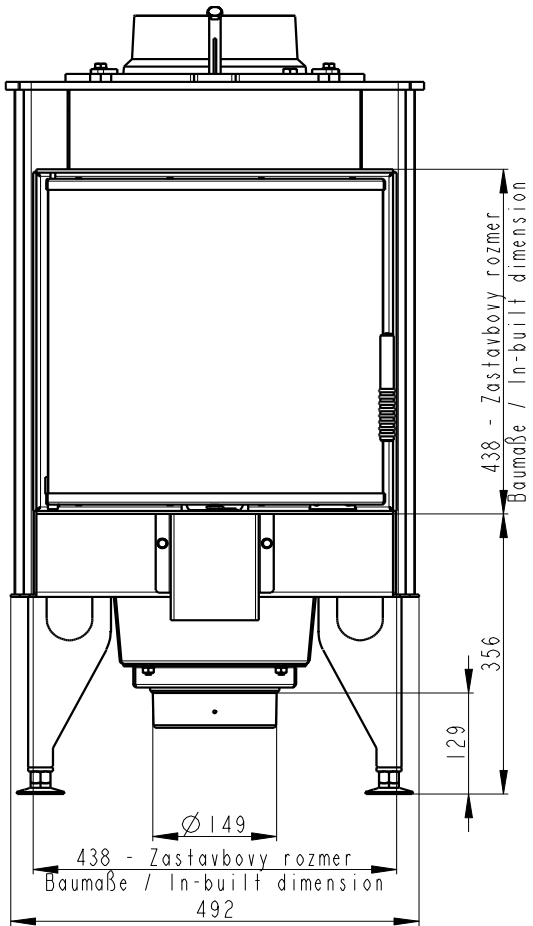


**KV 025 N01**



Primarni a sekundarni vzduch  
 Primärluft und Sekundärluft  
 Primary and secondary air

Artikl	KV 025 N01
--------	------------

#### General data

Nominal heat output	kW	10,5
Efficiency	%	90
Mass of the test fuel fired hourly	kg/h	2,73
Dry flue gases mass flow	g/s	9,7
Mean flue gas temperature	°C	400
Flue draught	Pa	12
Weight	kg	175
CO <sub>2</sub>	%	6,96

#### Recommended values

Reg.output	kW	6-13
Max. mass of the test fuel fired hourly	kg/h	9
Min. cross section of convect air inlet for nominal output	cm <sup>2</sup>	950
Min. cross section of convect air outlet for nominal output	cm <sup>2</sup>	1130
Combustion air requirement	m <sup>3</sup> /h	40,63
Flue gas connector diameter	mm	180 - 200

#### Meets requirement limit values for

EN 13 229	•
BImSch V 1	•
BImSch V 2	•
DIN plus	•
15a B-VG	•

#### Supplied accessories

Holder with magnet	•
Hook to open the ashtray	•
Ashtray	•