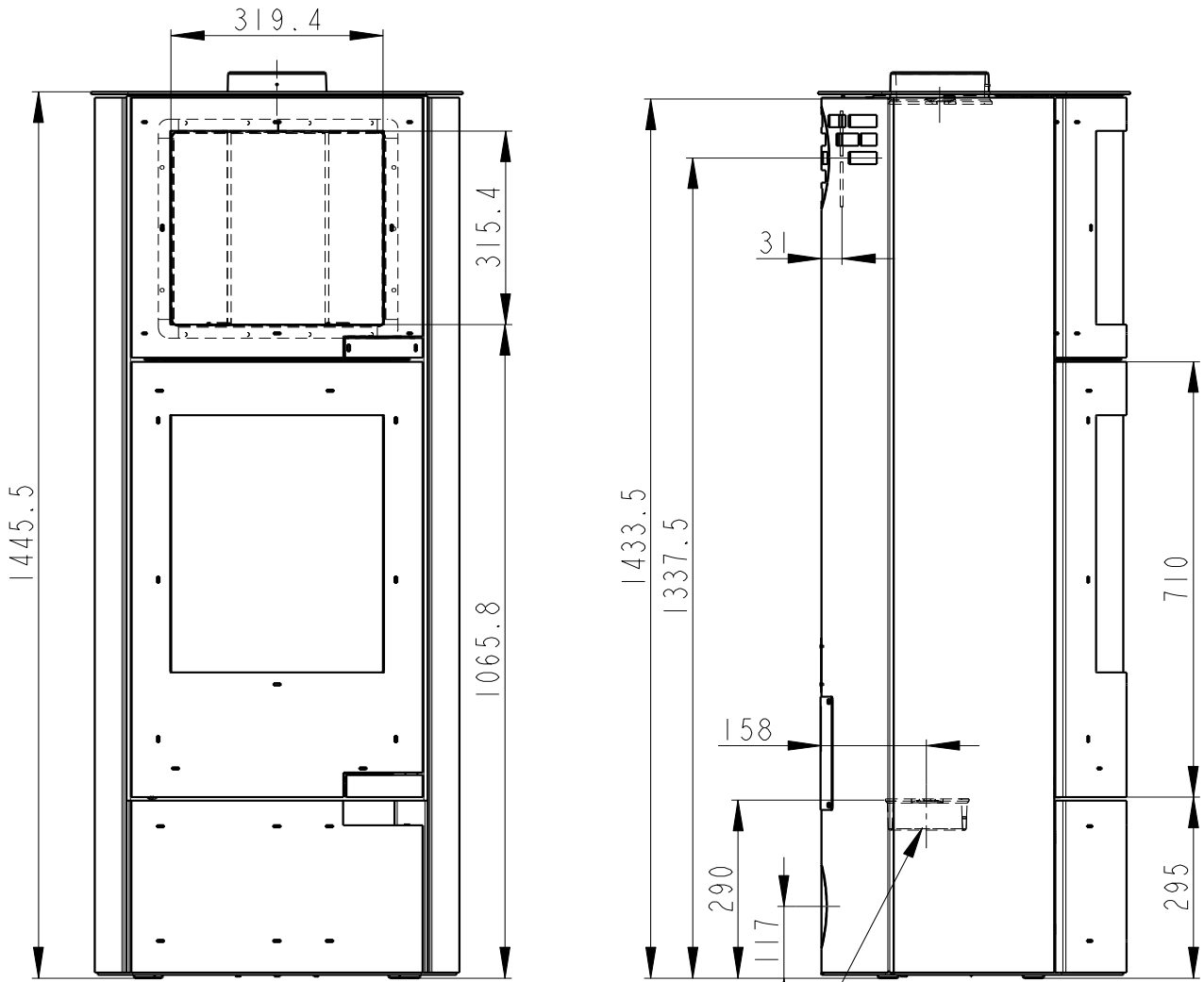
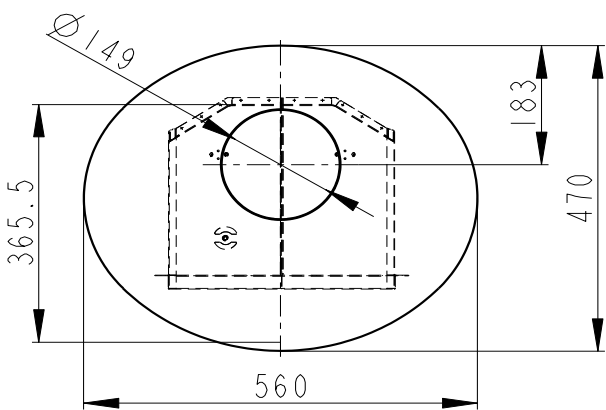


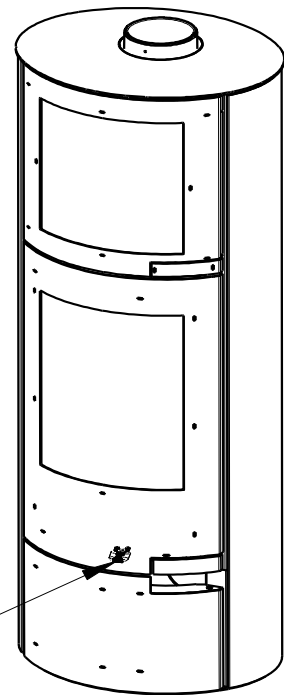
LUGO BACK



Centralni privod vzduchu Ø 120
 Zentral luftzufuhr Ø 120
 Central air inlet Ø 120



Primarni a sekundarni vzduch
 Primarluft und sekundarluft
 Primary and Secondary air



Artikl	LUGO BACK
--------	-----------

General data

Nominal heat output	kW	5,9	8
Efficiency	%	80	78
Mass of the test fuel fired hourly	kg/h	1,73	2,56
Dry flue gases mass flow	g/s	6,9	7
Mean flue gas temperature	°C	209	314,9
Flue draught	Pa	12	
Weight	kg	171	
CO ₂	%	7,23	10,91
Dust O ₂ =13%	mg/m ³	35	26
CO O ₂ =13%	mg/m ³	1118	1189

Recommended values

Reg.output	kW	4-11
Max. mass of the test fuel fired hourly	kg/h	3,3
Flue gas connector diameter	mm	150

Meets requirement limit values for

EN 13 240	•
BImSch V 1	•
BImSch V 2	•
DIN plus	•
15a B-VG	5,9kW(•),8kW(-)

Supplied accessories

Holder with magnet	•
Ashtray	•